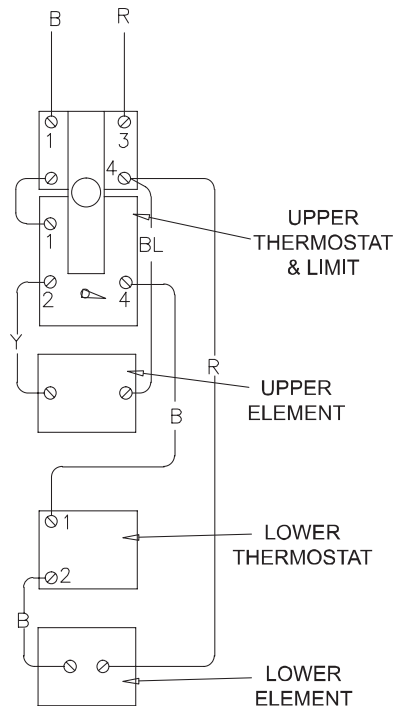


# Wiring Diagrams

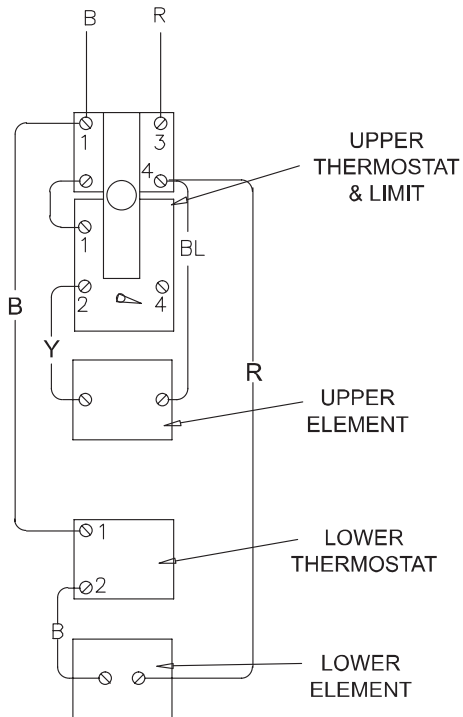
## Residential Electric Water Heaters

**DOUBLE ELEMENT -  
2 WIRE INTERLOCKING**



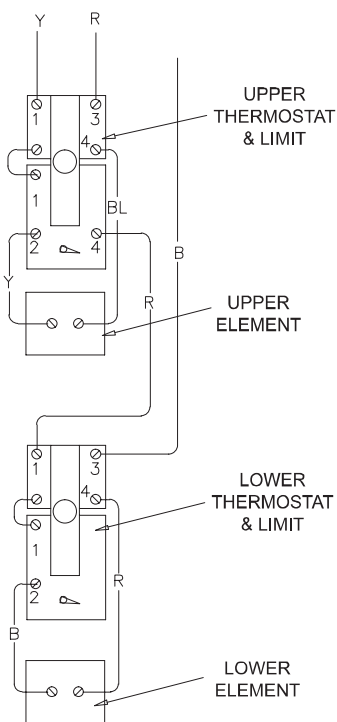
LIT0455

**DOUBLE ELEMENT -  
2 WIRE SIMULTANEOUS**



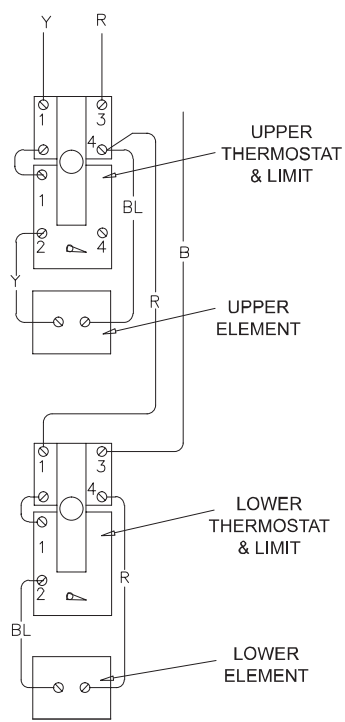
LIT0454

**DOUBLE ELEMENT - 3 WIRE / 3 PHASE  
INTERLOCKING**



LIT0459

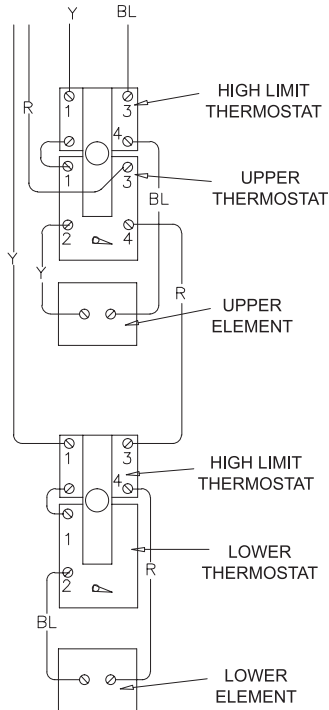
**DOUBLE ELEMENT - 3 WIRE / 3 PHASE  
SIMULTANEOUS**



LIT0460

**DOUBLE ELEMENT-**

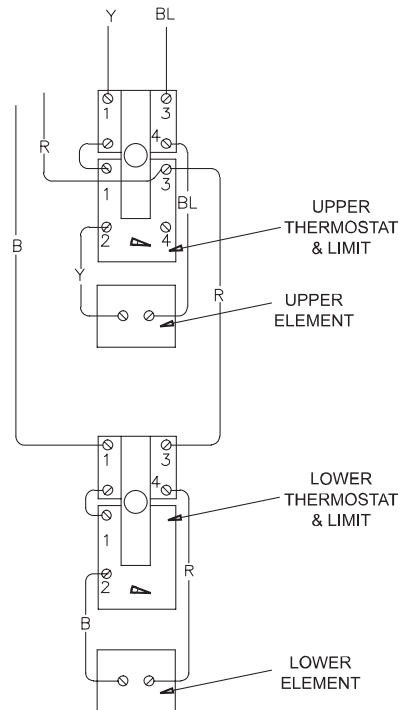
OFF PEAK OPERATION  
4 WIRE - INTERLOCKING



LIT0462

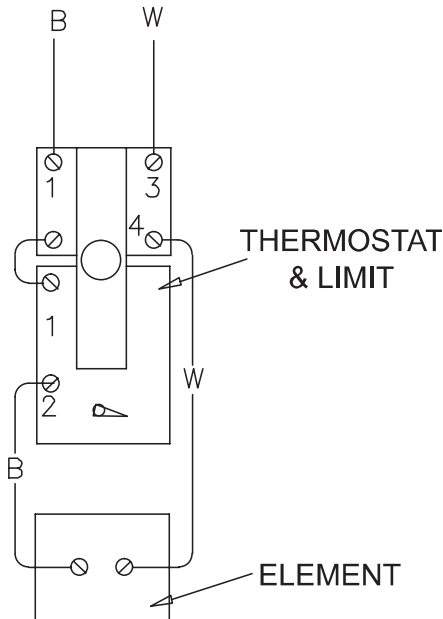
**DOUBLE ELEMENT-**

OFF PEAK OPERATION  
4 WIRE SIMULTANEOUS



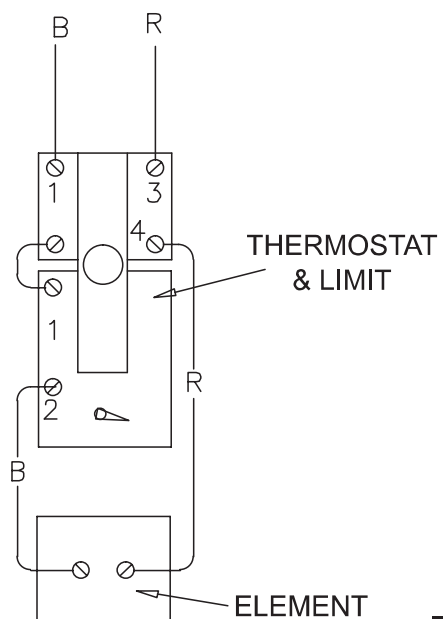
LIT0457

**SINGLE ELEMENT - 110 VOLT**

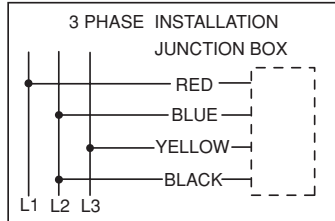
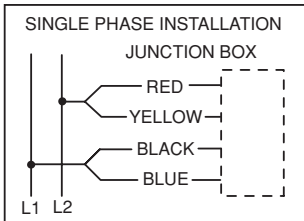


LIT0458

**SINGLE ELEMENT - 240 VOLT**



LIT0456



**CAUTION:** HEATER MUST BE GROUNDED.  
CONNECT A NO. 14 (or heavier) WIRE FROM  
A SUITABLE GROUND TO THE GROUND  
CONNECTION PROVIDED ON THE HEATER.